

# Industrial liquid measure system

## Liquimat light



- universal using
- high level measurement of chemical products, water, waste water and much more
- very high temperatures
- 1 x analogue 0/4 ... 20mA
- Temperature-sensor is included
- very easy installation
- for plastic and metal tank
- working pressure to 4.5bar
- with or without display possible
- insensitive to turbulence, temperature oscillations, steam and exhaust gases, contamination, solid particles in the material being measured.

**Becatron AG**

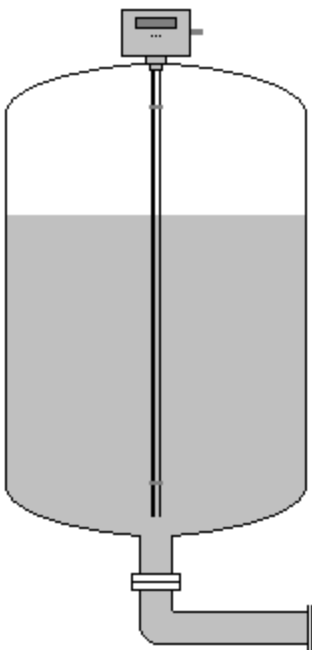
Frauenfelderstrasse 35 8555 Müllheim / Switzerland Phone: +41 52 763 33 88 Fax: +41 52 763 33 73  
E-mail: [info@becatron.ch](mailto:info@becatron.ch) Internet: [www.becatron.ch](http://www.becatron.ch)

# Liquimat light

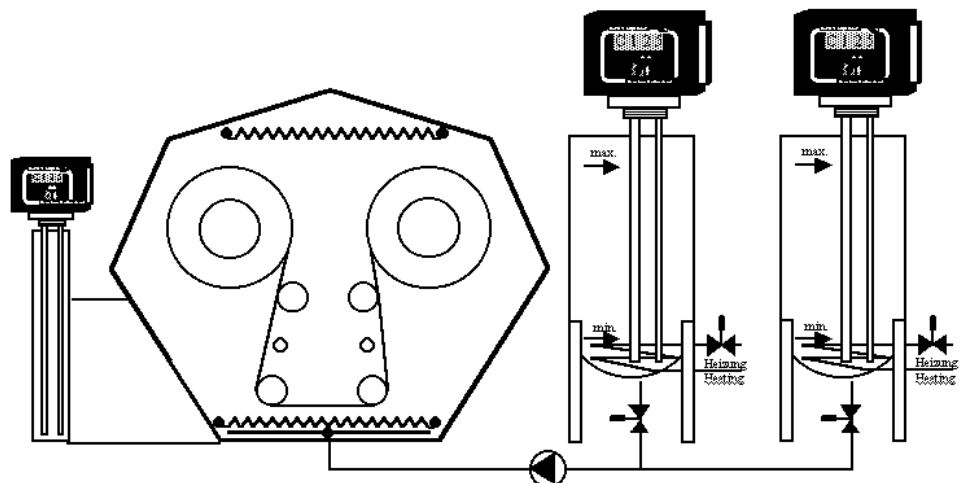


- universal using
- high level measurement of chemical products, water, waste water and much more
- very high temperatures
- 1 x analogue 0/4...20mA Output
- very easy installation
- for plastic and metal tank
- working pressure to 4.5bar
- with or without display possible
- insensitive to turbulence, temperature oscillations, steam and exhaust gases, contamination, solid particles in the material being measured.

## Using examples



In pressure to 4.5 bar

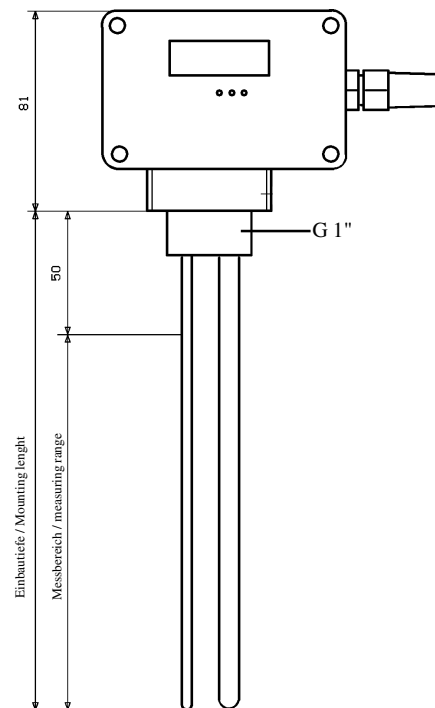


With the installation of a Liquimat light in an additional tank, you can solve some well-known jigger problems. The exact continue level measurement makes it possible, precise linear chemical and dye stuff dosing, which makes shade difference in the length unable. The continues level measurement in the bypass makes it possible to keep the level exact, by the running of dry passages.

## Technical data

Measure	Measurement converter case 96x62x34 mm (w x h x d) Injection moulding IP65
Display	Seven segment display (red) -Shows the actual high full level. -3 LED's for ready, level minimum and maximum
Power supply	24V DC approx. 60mA
Analogue outputs	1 x 0...20mA / 4...20mA for 1 level output
Adjustable	using a impulse-switch > level min. and max. / and full level height
Max. temperature	140°C Celsius
Working pressure	4.5 bar
Protection sort	IP65
Fitting position	vertical
Process connection	1" threading (PVDF)
Probe material	E-CTFE (HALAR®) coated
Reaction time	500ms* * Reaction time could be differnt if you use a high concentration of acid

## Dimension



## electric connection

