

Hydrostatic Level sensor Liqui-Hydro



- high level measurement of water, waste water and much more
- universal using
- for plastic and metal tank
- 1 x analogue 0/4 ... 20mA
- very easy installation
- with or without display possible

Becatron AG

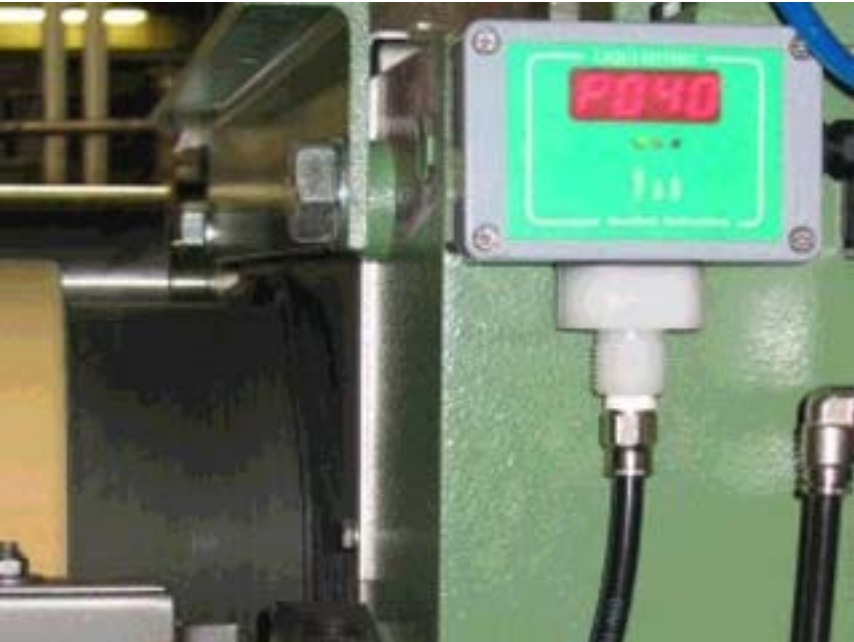
Frauenfelderstrasse 35 8555 Müllheim / Switzerland Phone: +41 52 763 33 88 Fax: +41 52 763 33 73
E-mail: info@becatron.ch Internet: www.becatron.ch

Liqui-Hydro

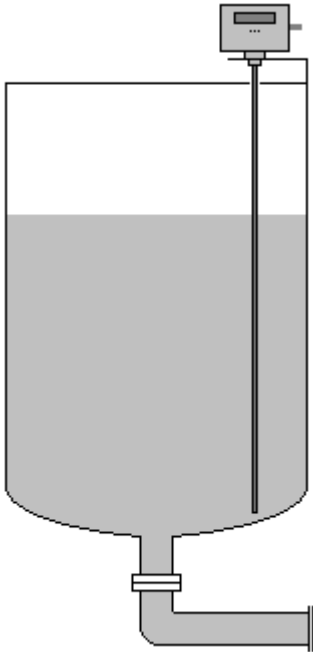


- high level measurement of water, waste water and much more
- universal using
- for plastic and metal tank
- 1 x analogue 0/4 ... 20mA
- very easy installation
- with or without display possible

Using examples



This is a application in a Foulard.

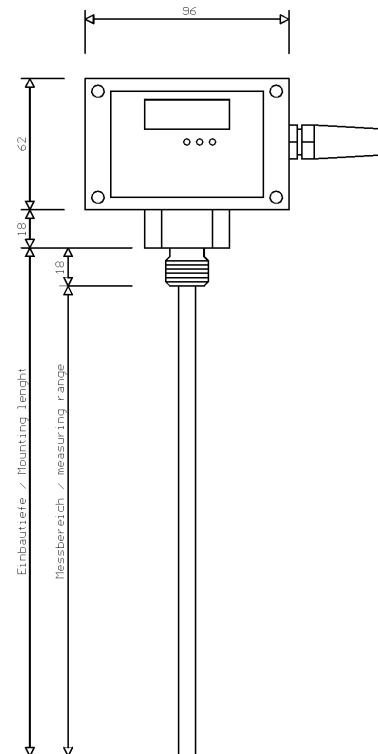


Using in different tanks without pressure

Technical data

Measure	Measurement converter case 96x62x34 mm (w x h x d) Injection moulding IP65
Display	Seven segment display (red) -Shows the actual high full level. -3 LED's for ready, level minimum and maximum
Power supply	24V DC ca. 60mA
Analogue outputs	1 x 0...20mA / 4...20mA for 1 level output
Max. temperature	98°C
Protection sort	IP65
Fitting position	vertical
Process connection	1/2" threading (PVDF)
Probe material	Stainless steel or elastic Teflon hose

Dimension



electric connection

